

I-PRO SLUSH DISPENSER, 2 INSULATED 2.9 G. BOWLS, ELECTRONIC, WITH LIGHTED PANEL



Ref560531 (I-PRO2EL)

I-PRO 2E with lighted panel, (2) 2.9 gallon insulated bowls, Electronic control and timer, black finish - Refrigerant R449A

General Features

I-PRO 2 ELECTRONIC with light panel is a versatile slush machine with (2) 2.9 gallon (11L) I-Tank insulated bowls electronic control. Refrigerant R449A. I-PRO Electronic is a real technologic wonder designed for performance. It has the I-Tank insulated tank as standard. The look of this equipment is modern and eye-catching, thanks to the LED-light system that illuminates the product as well as the front panel to attract customers. The shape of the bowls allows a natural mixing process to ensure an optimum consistency of the product. I-PRO ELECTRONIC helps to save energy and reduce CO2 emissions; a stand-by mode is automatically activated when the product reaches the right consistency. The machine can be programmed daily or weekly. Bowls work independently so it's easy to dispense different products at the same time such as slushies, milkshakes, frozen drinks and frozen cocktails/mocktails. I-PRO is an ideal slush machine for bars, amusement parks, multiplex, fast food chains, kiosks, restaurants, water parks and much more.

I-PRO SLUSH DISPENSER, 2 INSULATED 2.9 G. BOWLS, ELECTRONIC, WITH LIGHTED PANEL

Specifications

- I-PRO is an ideal slush machine for bars, amusement parks, motorway restaurants, fast food chains, kiosks, restaurants, water parks and much more.
- I-PRO ELECTRONIC is equipped with an integrated diagnostic system which signals any problems directly on the display.
- The I-PRO ELECTRONIC is a professional slush machine automatically switches from "production" mode to "stand-by" mode when it reaches the selected product consistency, guaranteeing energy savings and a reduction in CO2 emissions.
- Versatile slush machine with two (2) 2.9 gallon/11L I-Tank insulated bowls

Construction

- The patented I-Tank insulated bowl reduces the impact of ambient temperature on the product, improving its cooling efficiency and guaranteeing energy and cost savings.
- The LED backlit frontal panel gives maximum visibility to the equipment.
- The electronic keypad allows you to program the slush machine daily or weekly.
- Optional Autofill Lid System available: for the automatic filling of the tanks
- Bowls work independently, allowing operations to dispense different product at the same time, including: slushies, milkshakes, cold drinks and/or frozen cocktails

I-PRO SLUSH DISPENSER, 2 INSULATED 2.9 G. BOWLS, ELECTRONIC, WITH LIGHTED PANEL

Electric

Supply voltage:	115 V / 1 ph / 60 Hz
Electrical power max.:	0.9 kW
Current consumption:	9.4 Amps
Plug type:	USA NEMA 5-15P

Key Information:

Number of bowls:	2
Bowl's capacity:	2.9 gal
Control board:	Electronic
Dimensions, Width:	15 3/4"
Dimensions, Depth:	22 13/16"
Dimensions, Height:	34 1/4"
Net weight:	132 lb
Cooling system:	AIR

Refrigeration Data

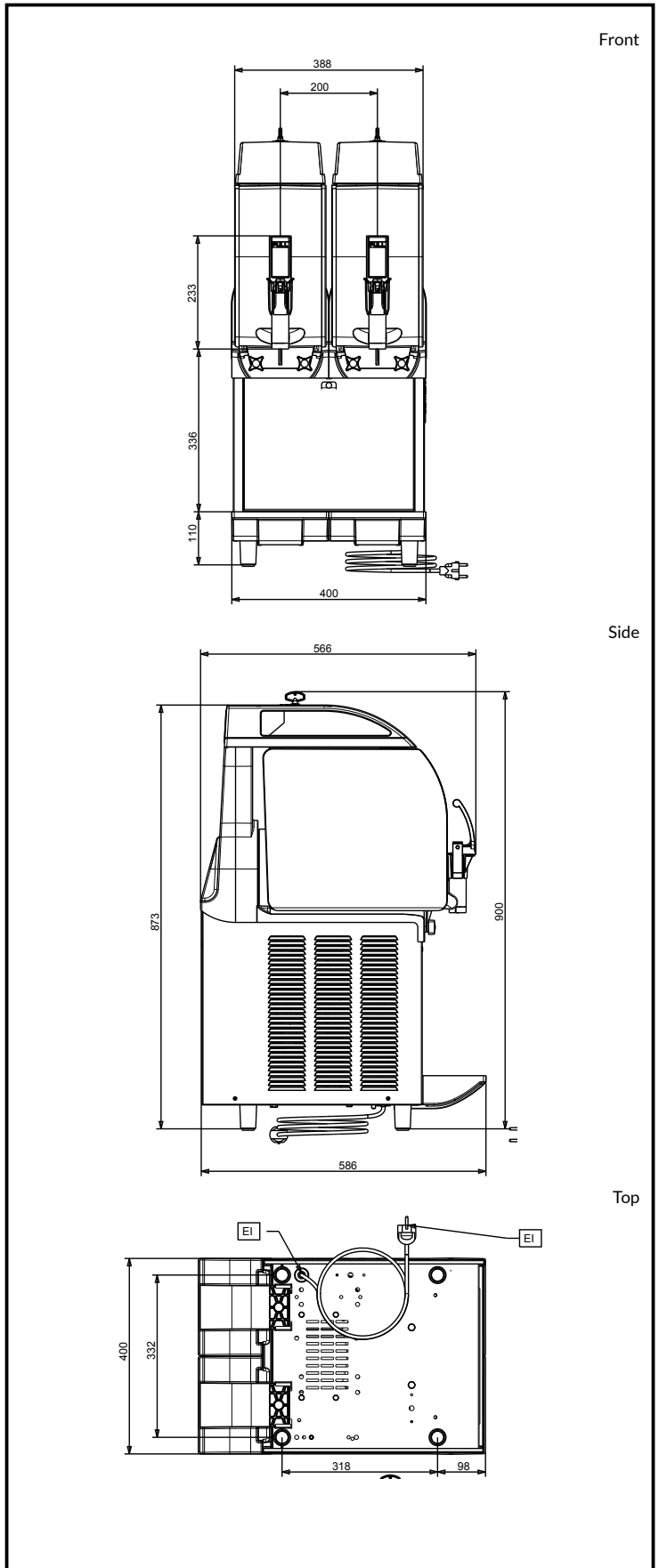
Refrigerant gas:	R449a
------------------	-------

Certifications



The company reserves the right to make modifications to the products without prior notice. All information correct at time of printing.

2024.10.08



CRATHCO

www.crathco.drink-systems.com
 info@crathco@electroluxprofessional.com